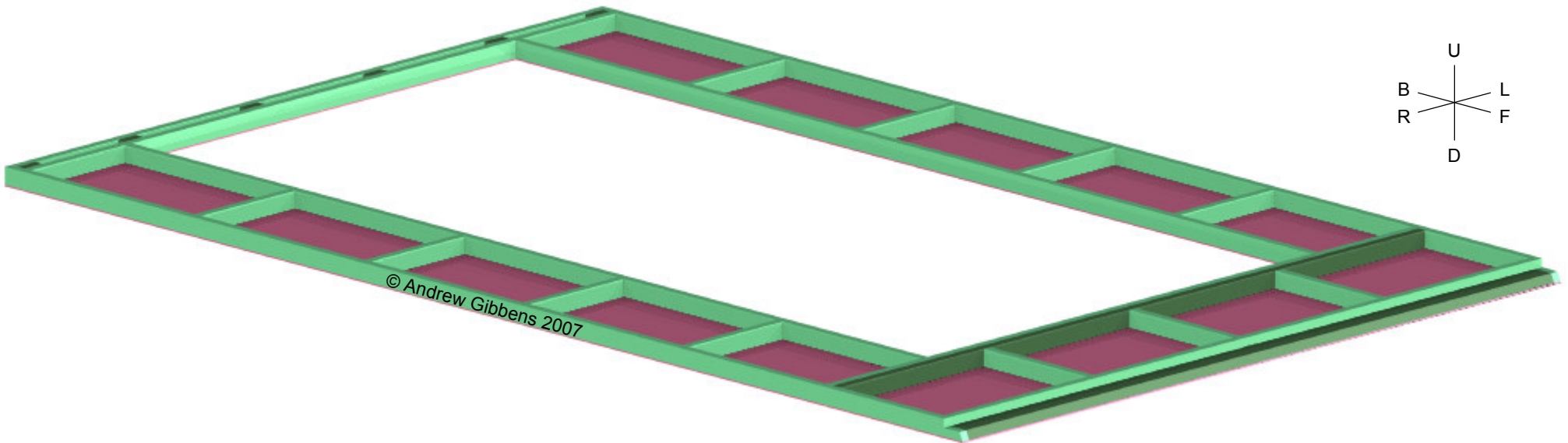
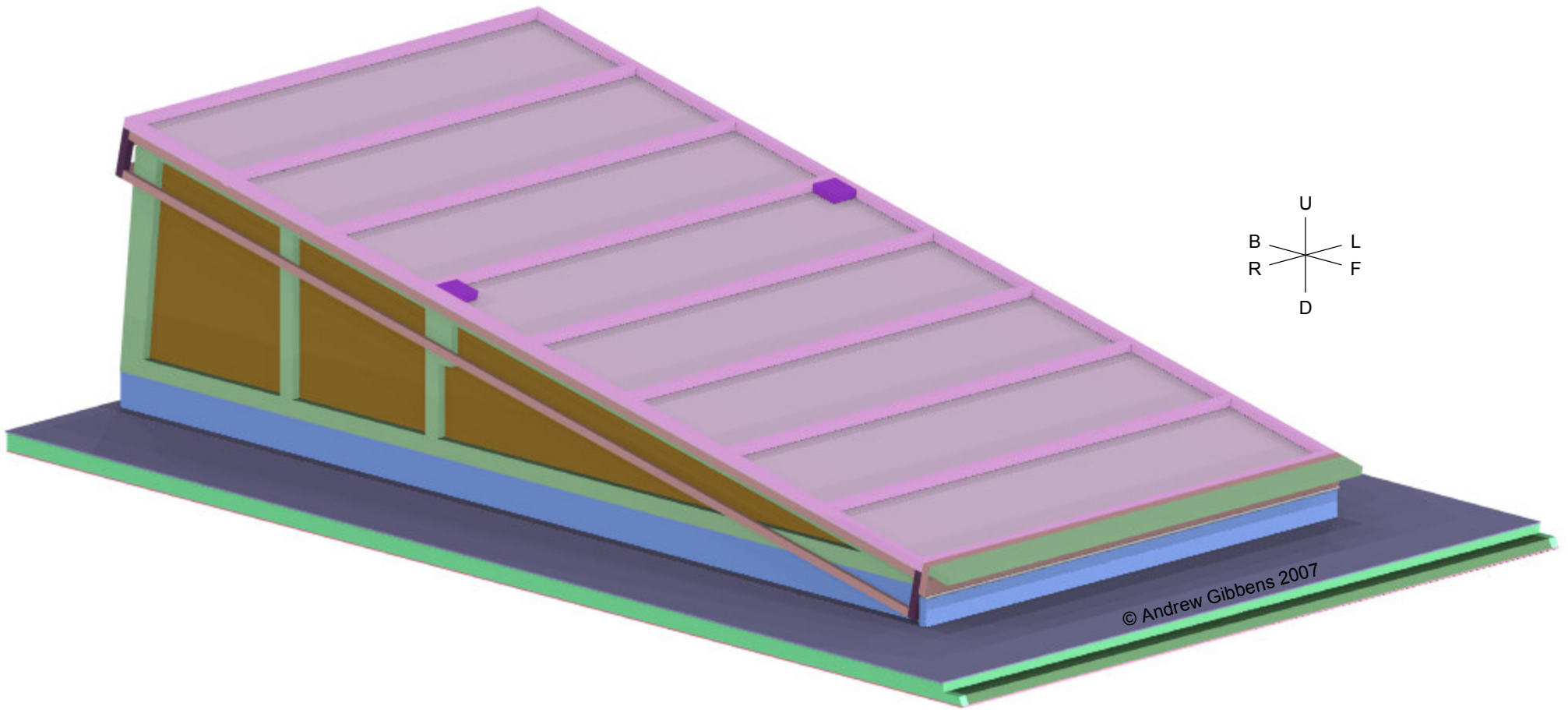


Roof with Upper Skin and Folding Roof Base added

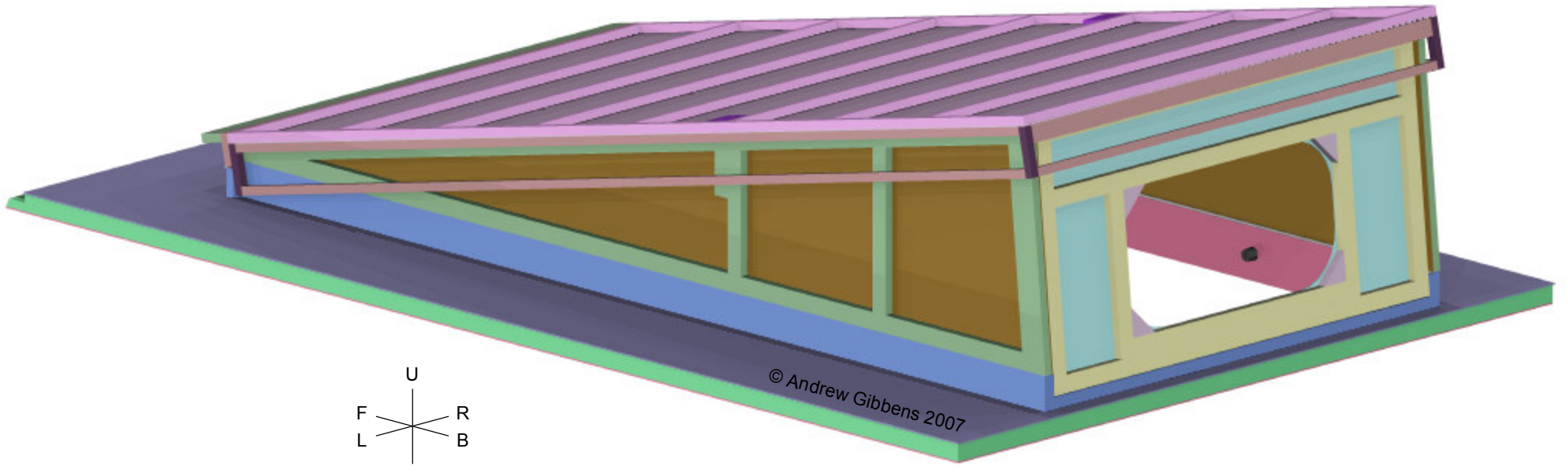


Inner Roof Framing



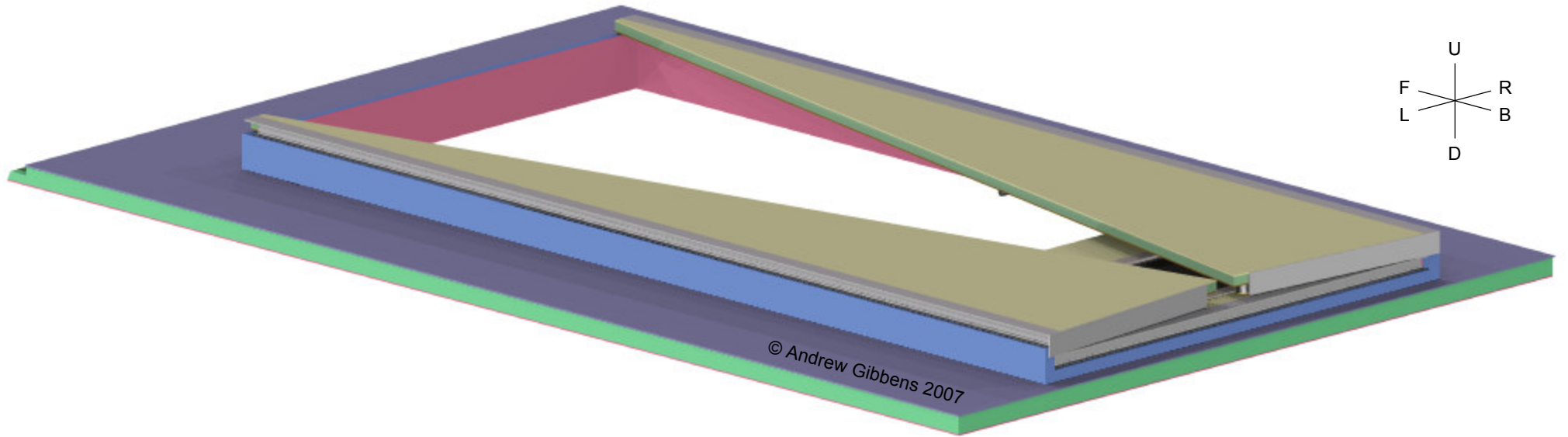
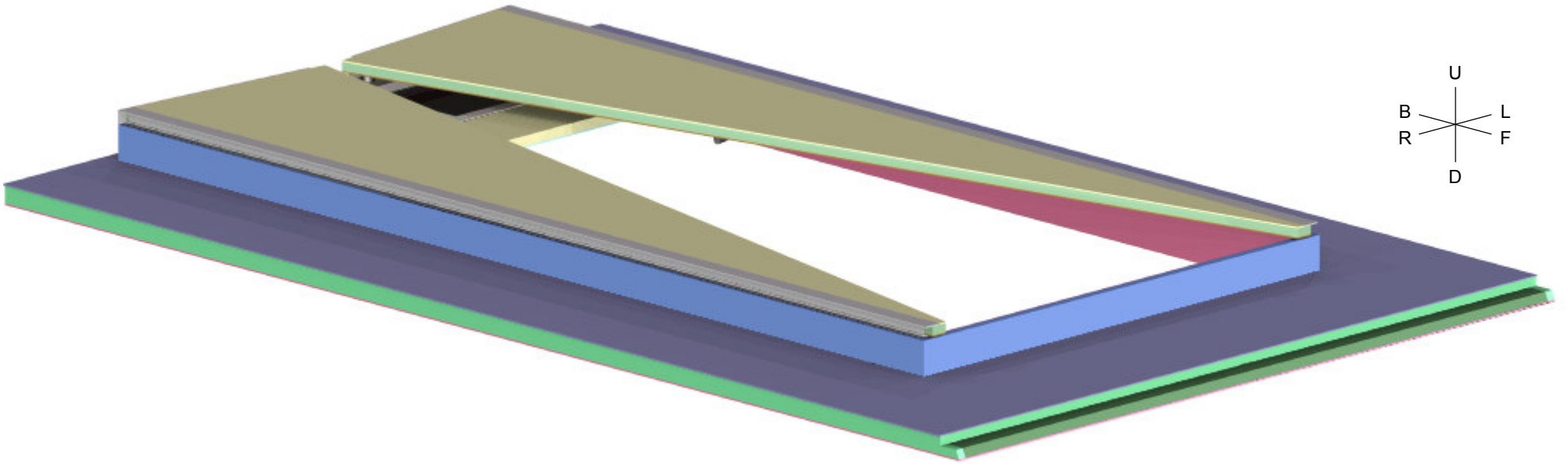
Front 3/4 View - Roof Raised  
All outer skins removed to show construction

ROOF 2



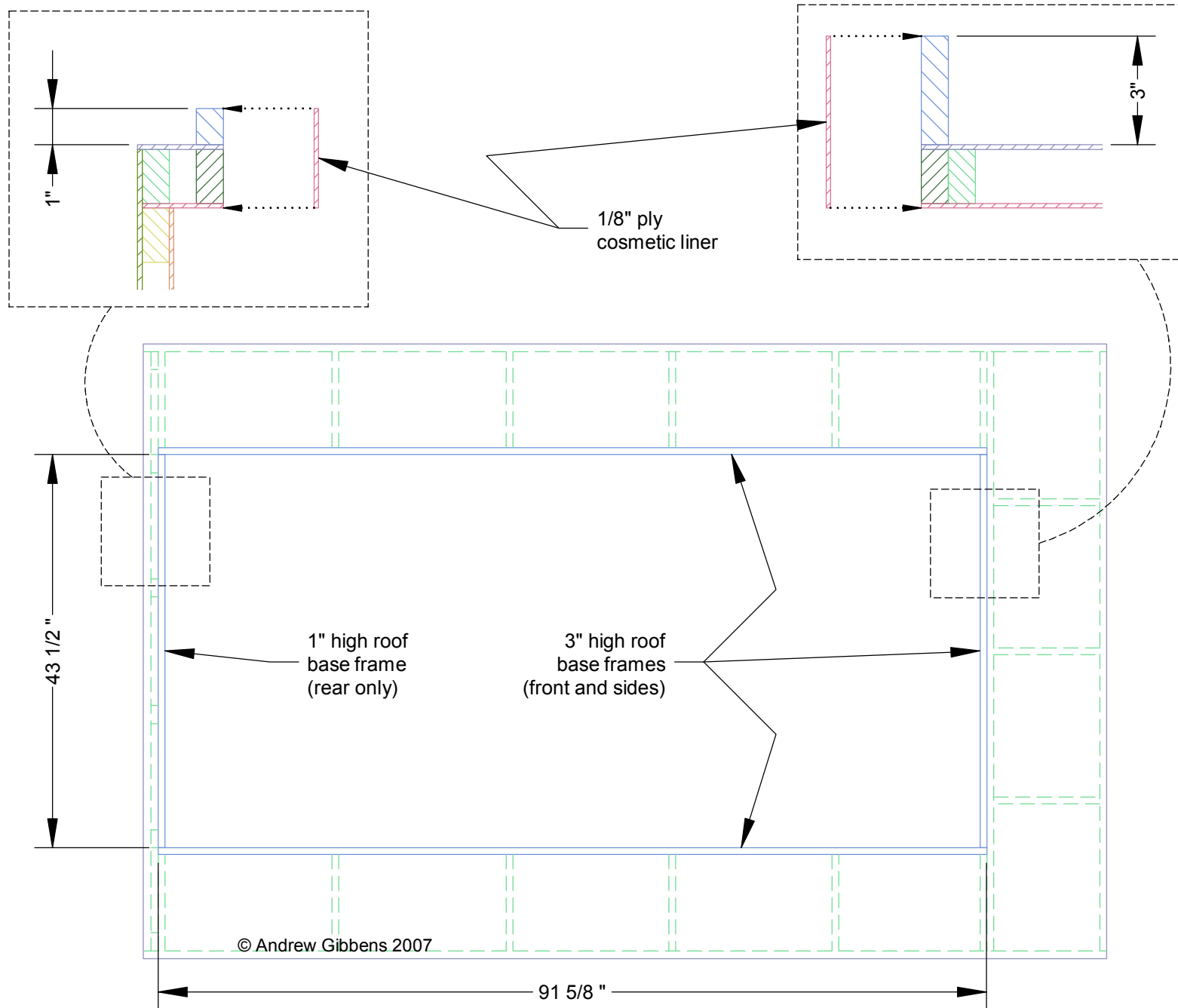
Rear 3/4 View - Roof Raised  
All outer skins removed to show construction

ROOF 3



Front and Rear 3/4 Views - Roof Folded Down  
 Lifting top section omitted to show folding method for sides and rear

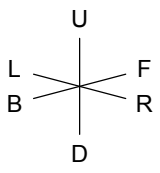
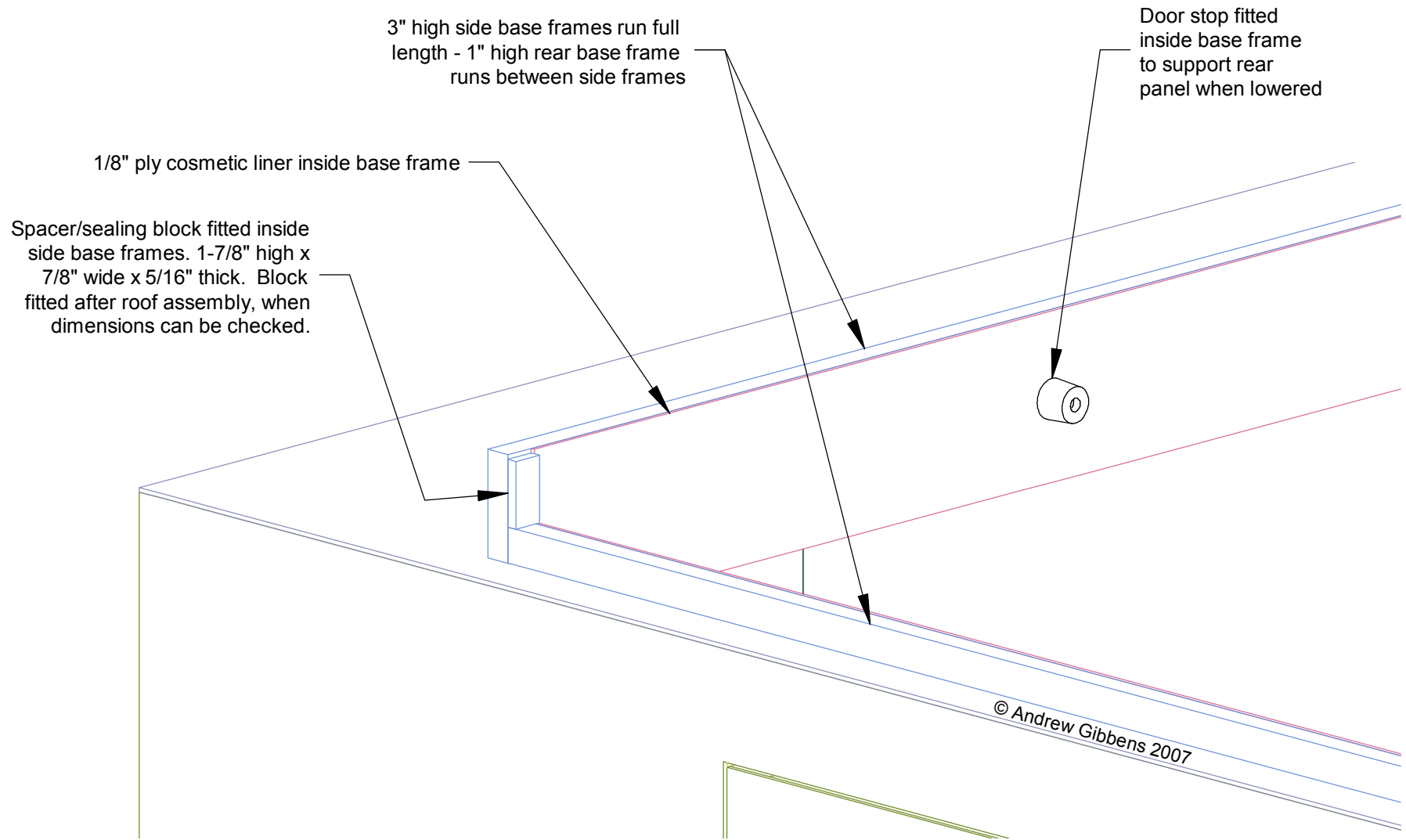
ROOF 4



NOTES:

1. Roof base frames made from 1" (nominal) thick wood fastened on top of roof outer skin.

ROOF 5  
1:16  
(Details 1:4)

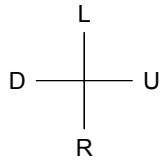


Detail of Rear Corner of Roof Base Frame  
(lifting sides, top and rear omitted for clarity)

Step 1

Step 2

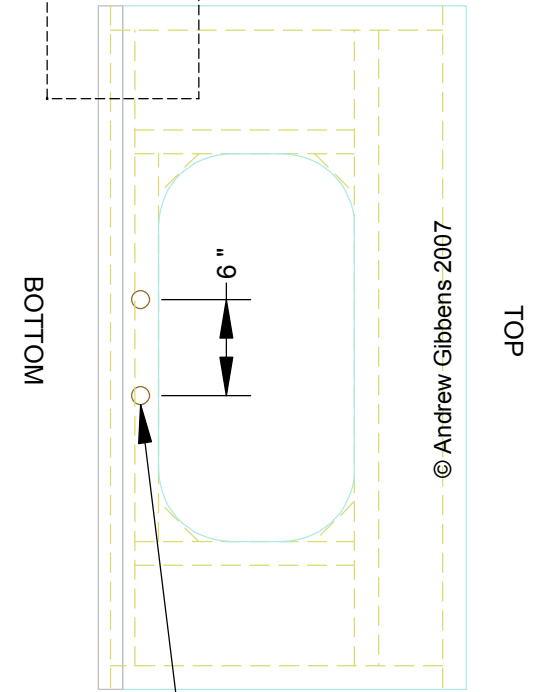
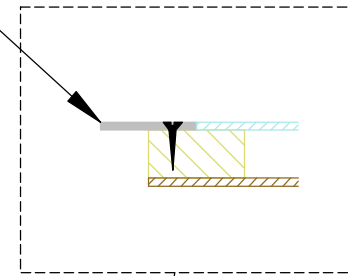
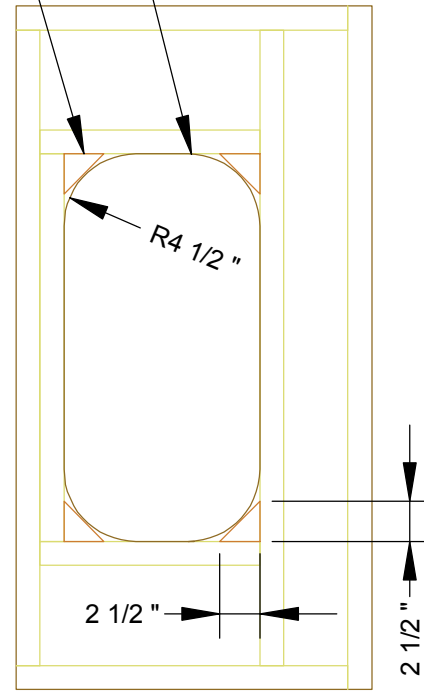
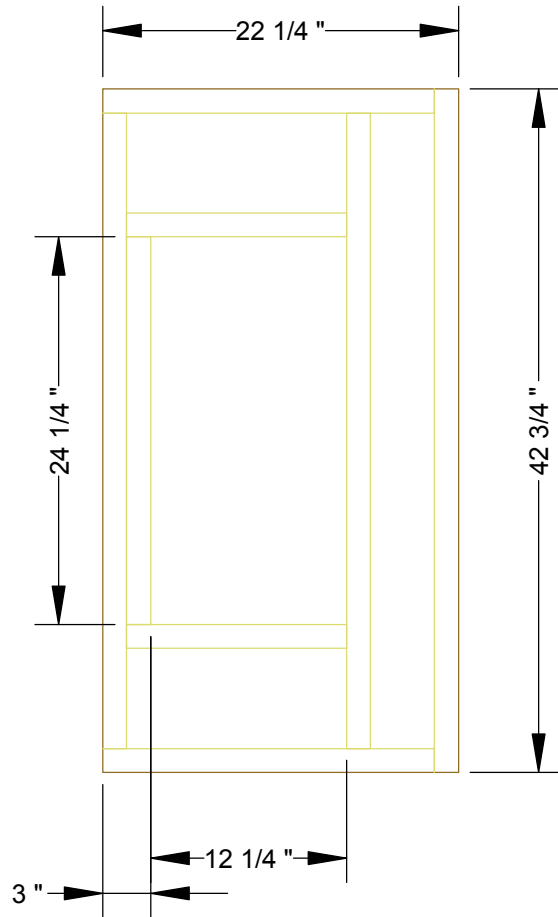
Step 3



1-1/2"x1/8" aluminium weather bar, projecting 3/4".  
Outer ply skin cut back 3/4" to suit

Ply cutout (and positions of framing) to suit window size

Triangular corner blocks



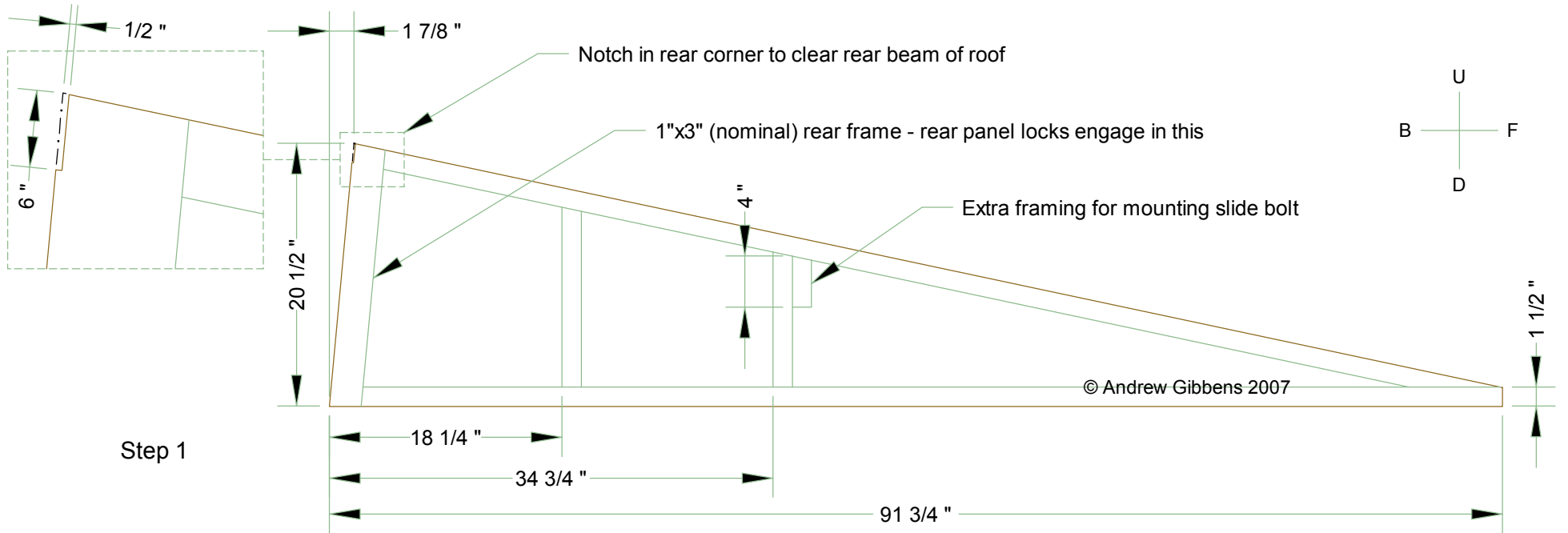
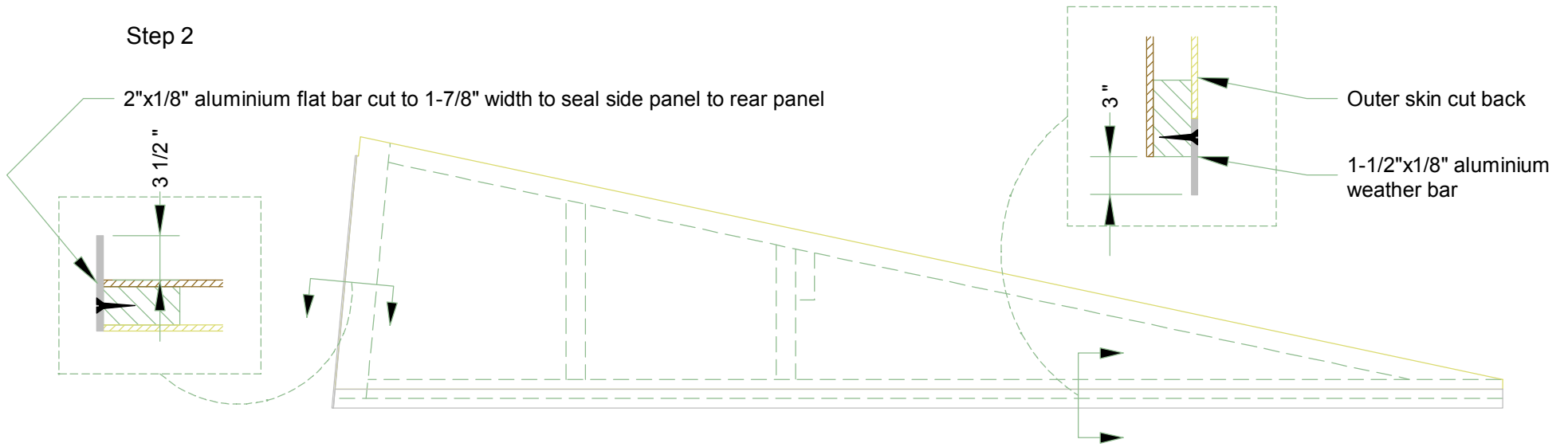
Rubber door stops fitted on outer face of rear panel to support side panels when lowered

NOTES:

1. Drawn with outer/rear skin upwards
2. Inner and outer skins 1/8" ply, all framing 1"x2" (nominal)

ROOF 7  
Rear Folding Panel  
1:12

Step 2



Step 1

NOTES:

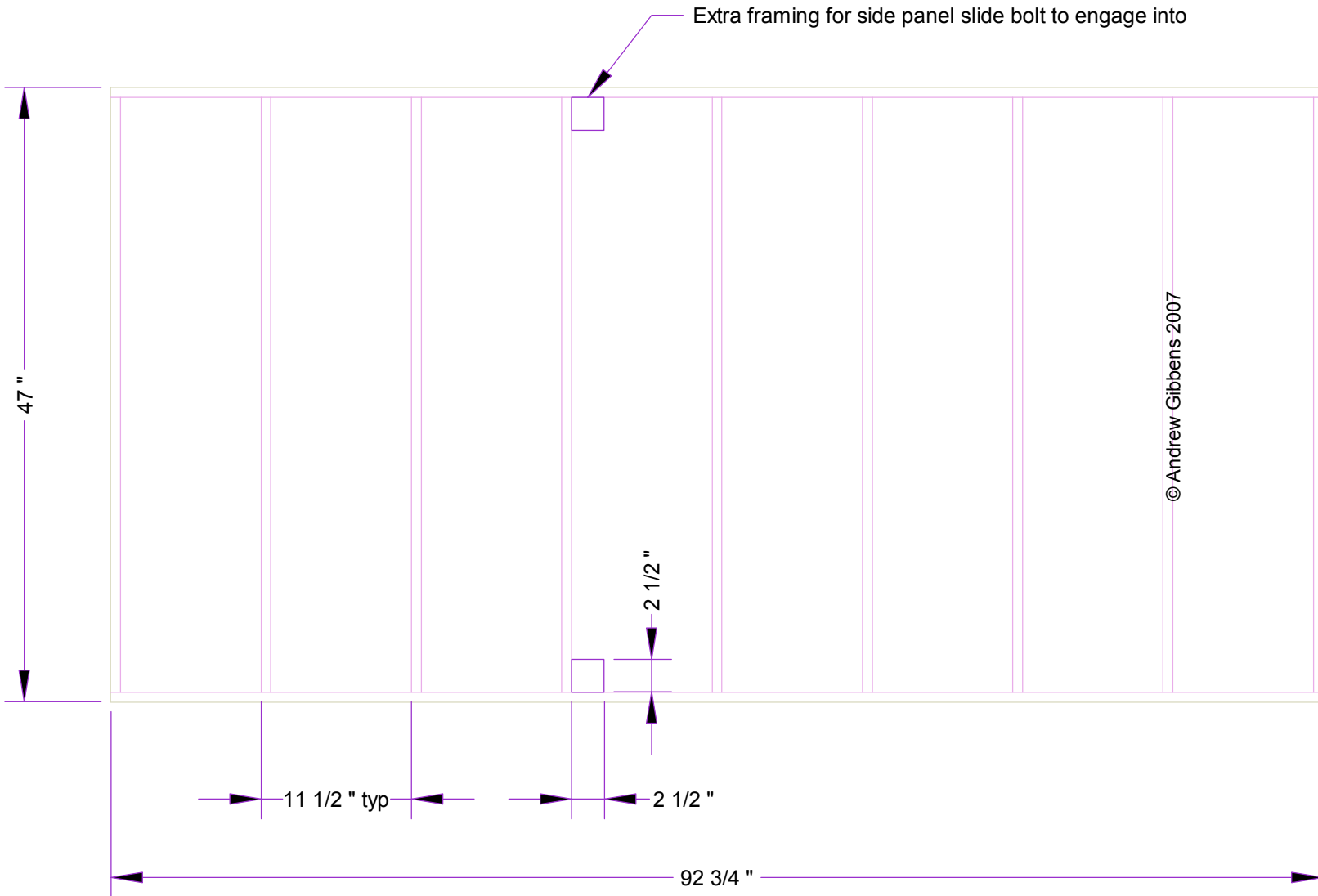
1. Right side panel drawn. Left side similar, but reversed.
2. Inner and outer skins 1/8" ply, all framing 1"x2" (nominal), except as shown

ROOF 8  
Side Folding Panels  
1:12





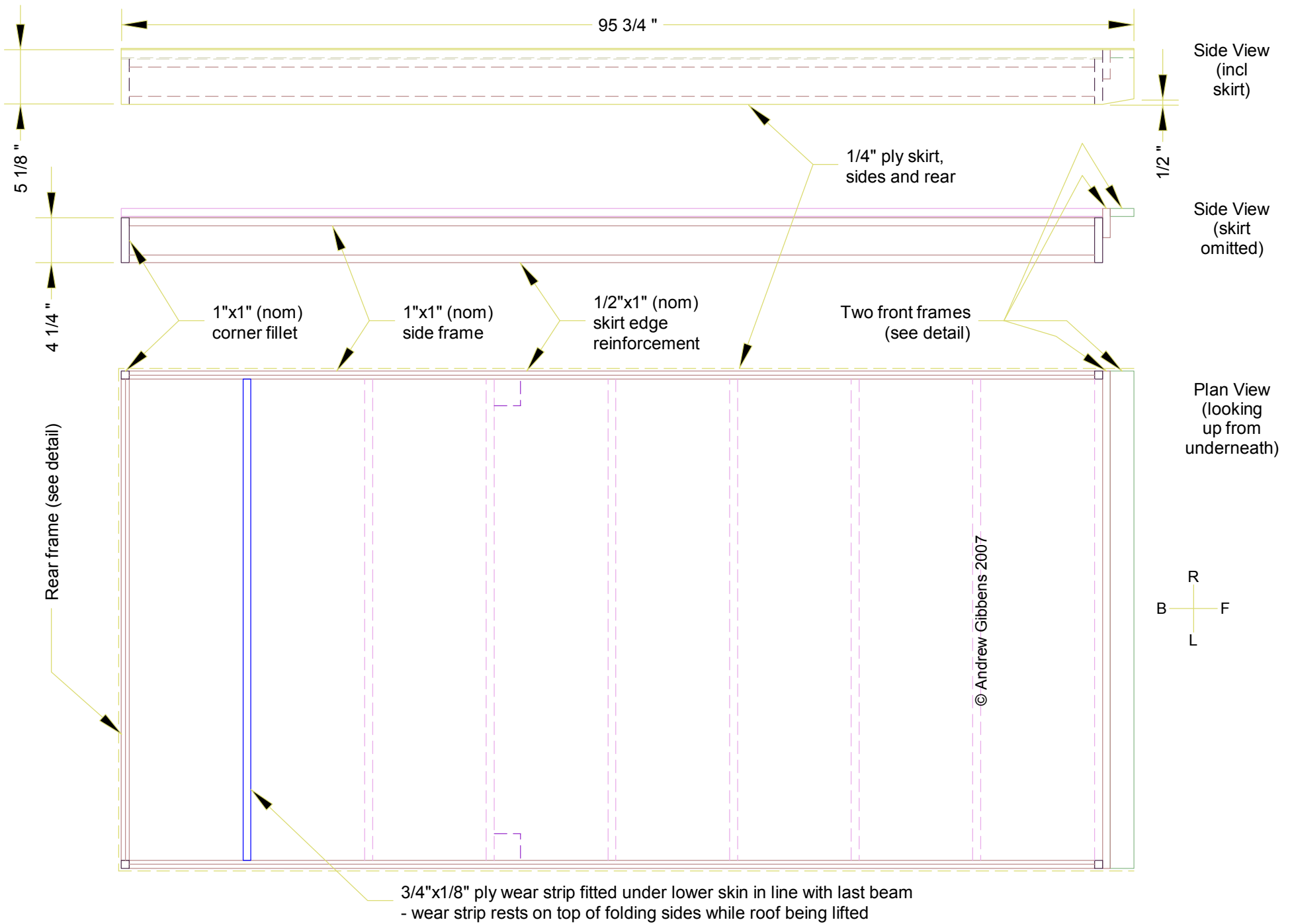
Side View



Plan View

- NOTES:
1. Top drawn with outer skin missing to show framing.
  2. Inner and outer skins 1/8" ply, all framing 1"x1" (nominal)

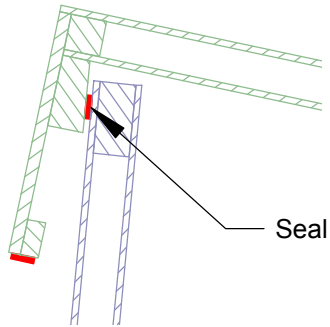
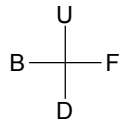
ROOF 9  
Top Panel 1/2  
1:12



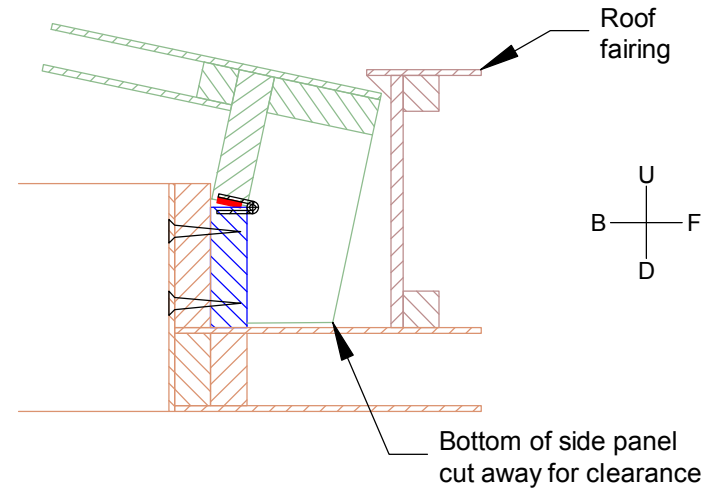
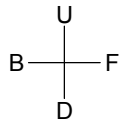
NOTES:  
1. See next sheet for frame details

ROOF 10  
Top Panel 2/2  
1:12

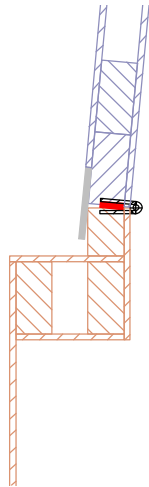
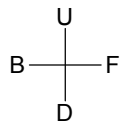
Top Panel to Rear Panel Joint  
(roof up)



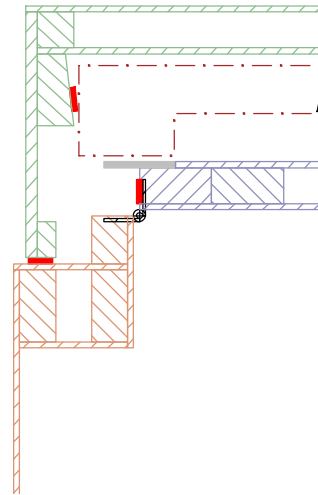
Top Panel to Roof Base Joint  
(roof up)



Rear Panel to Roof Base Joint  
(roof up)

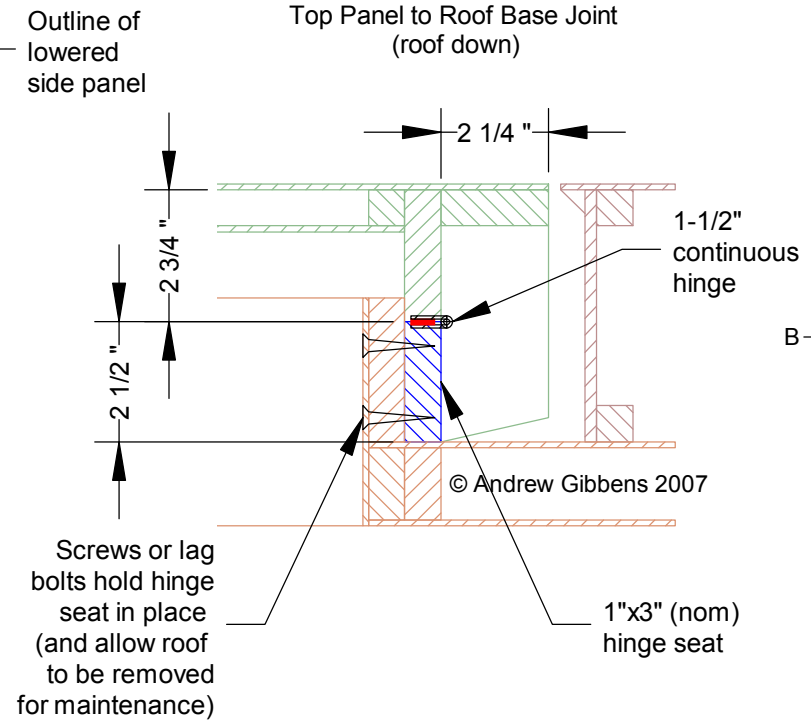
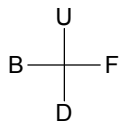


Rear Panel to Roof Base Joint  
(roof down)



Outline of lowered side panel

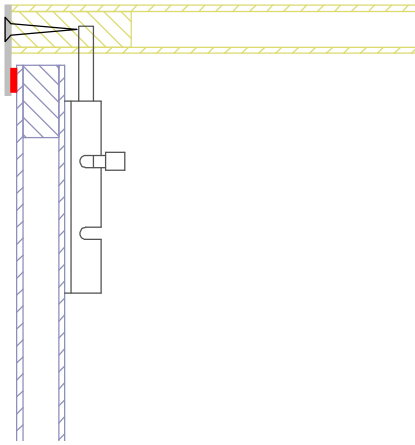
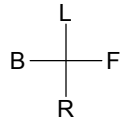
Top Panel to Roof Base Joint  
(roof down)



NOTES:

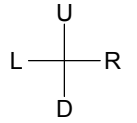
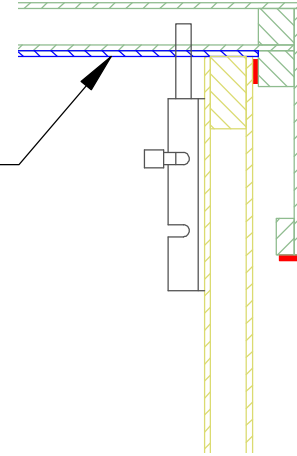
1. All seals are 1/2"x1/8" section (compressed).

Side Panel to Rear Panel Joint  
(roof up)

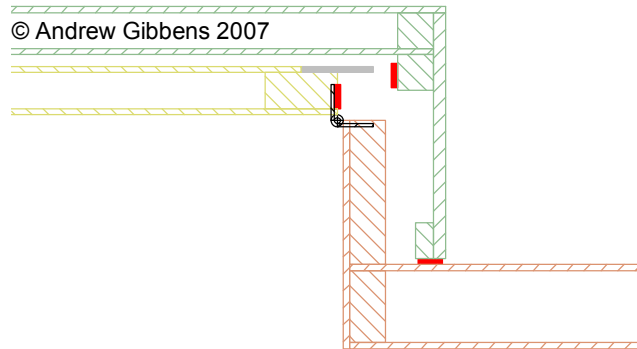
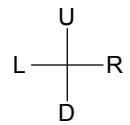


Top Panel to Side Panel Joint  
(roof up)

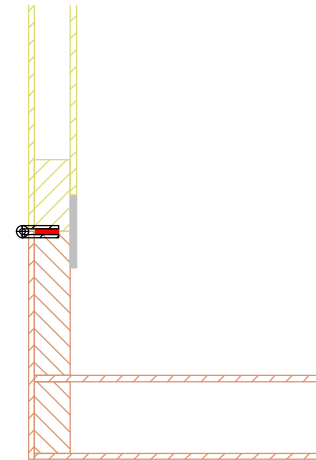
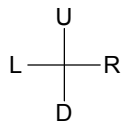
Wear strip under top panel  
sits on top of side panel



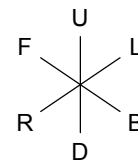
Side Panel to Roof Base Joint  
(roof down)



Side Panel to Roof Base Joint  
(roof up)



- NOTES:  
1. All seals are 1/2"x1/8" section (compressed).

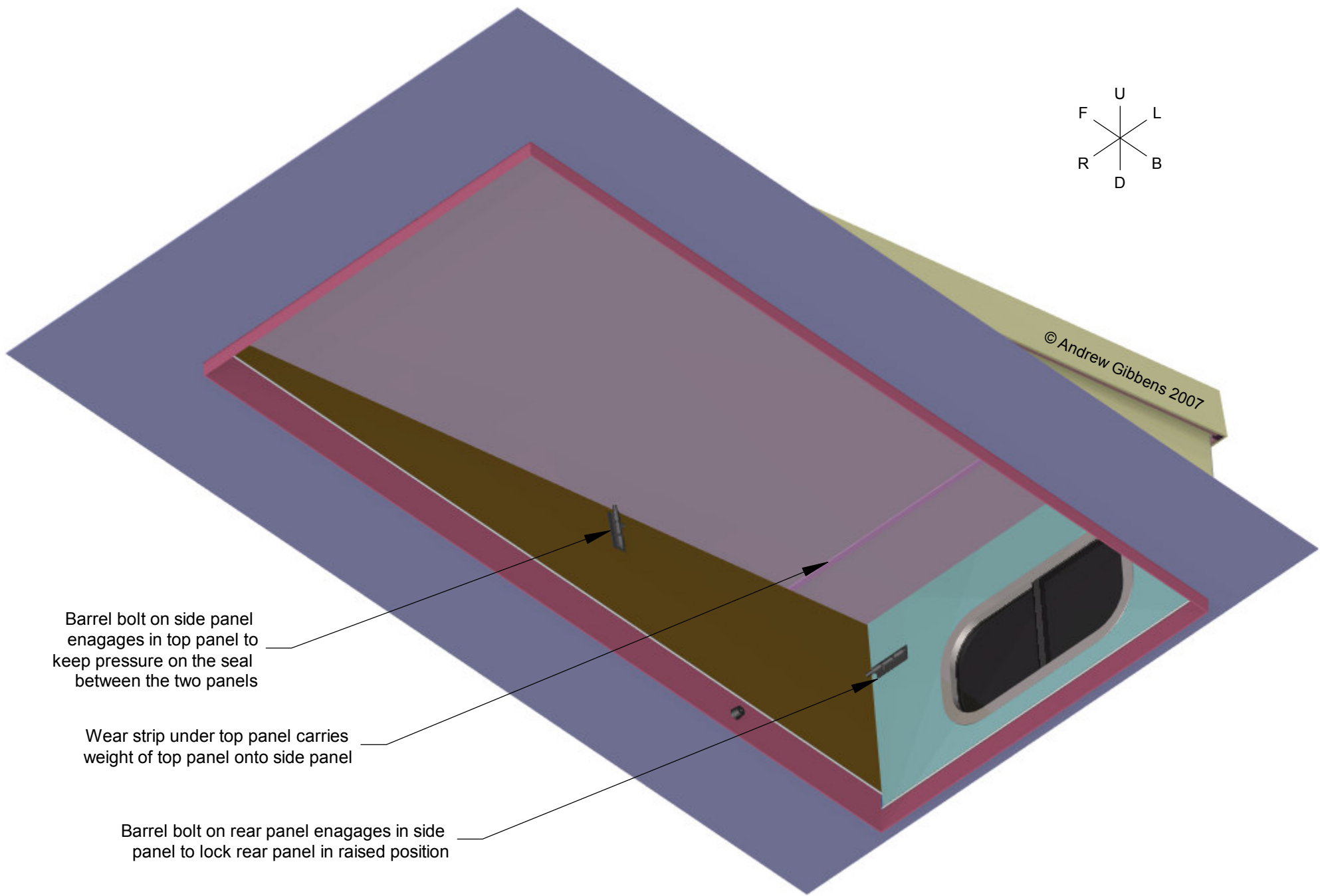


© Andrew Gibbens 2007

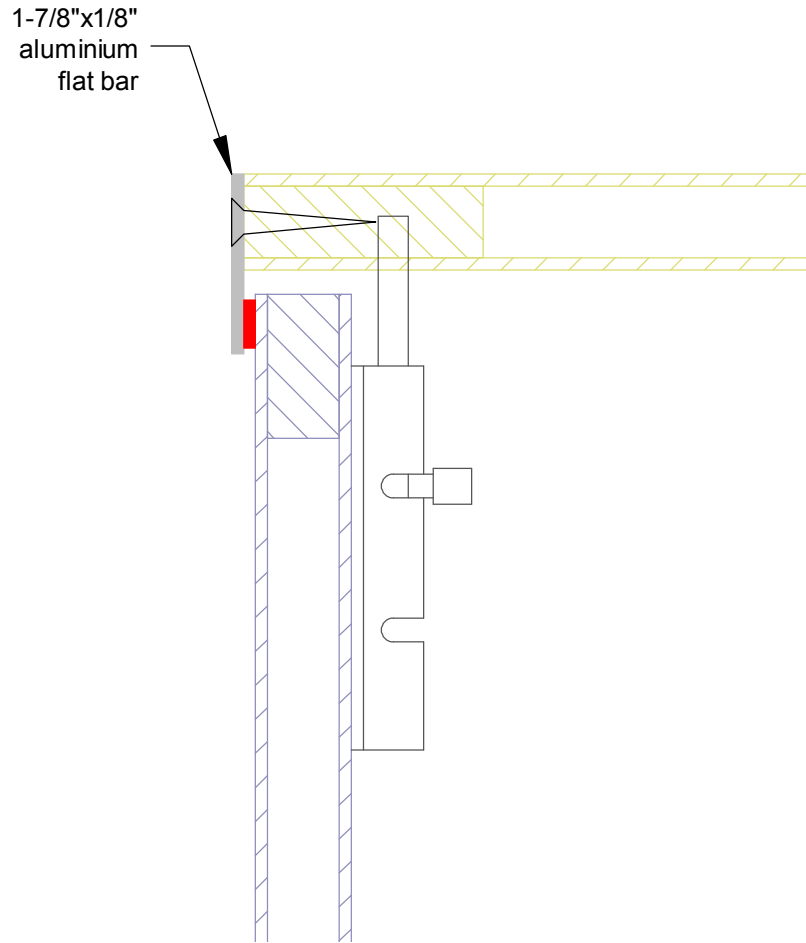
Barrel bolt on side panel  
engages in top panel to  
keep pressure on the seal  
between the two panels

Wear strip under top panel carries  
weight of top panel onto side panel

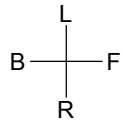
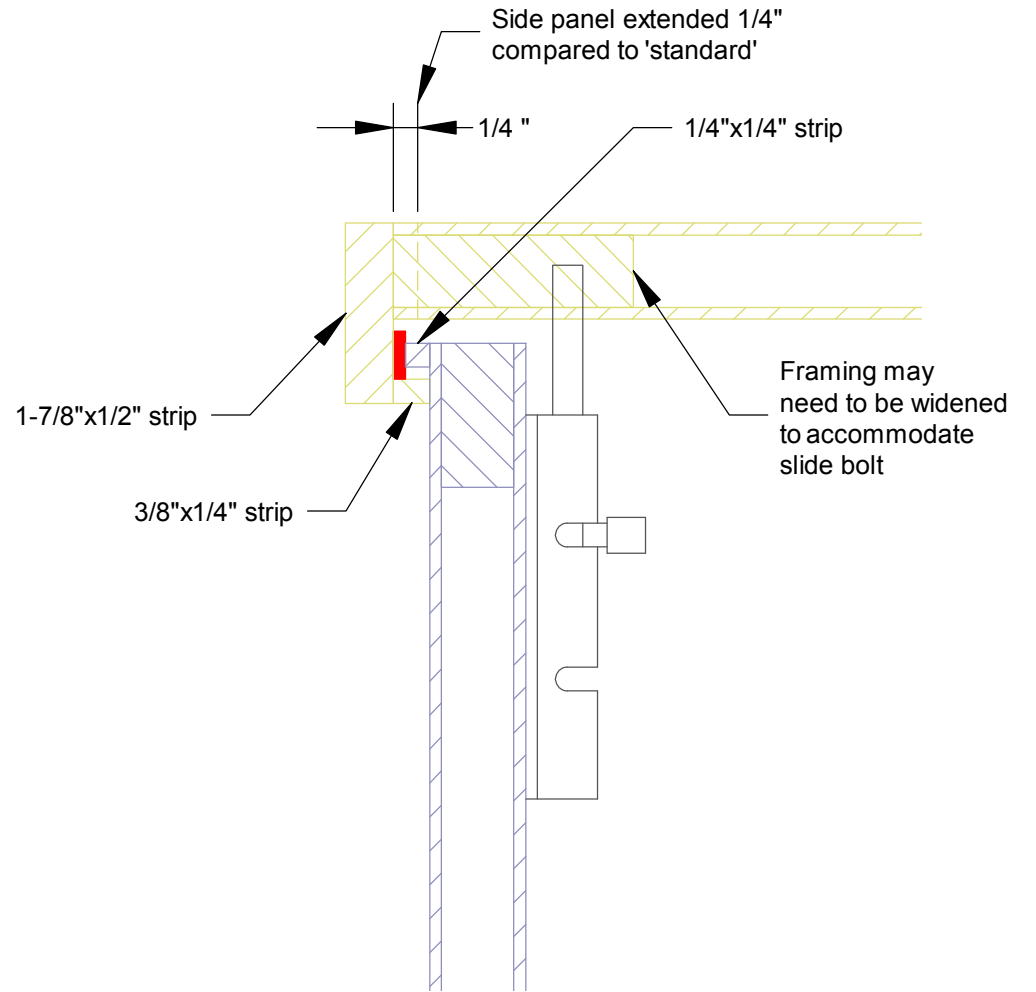
Barrel bolt on rear panel engages in side  
panel to lock rear panel in raised position



'Standard'  
Side Panel to Rear Panel Joint  
(roof up)



'Deluxe'  
Side Panel to Rear Panel Joint  
(roof up)



NOTES:  
1. All seals are 1/2"x1/8" section (compressed).

ROOF 14  
Alternative Side/Rear Joint Detail  
1:2