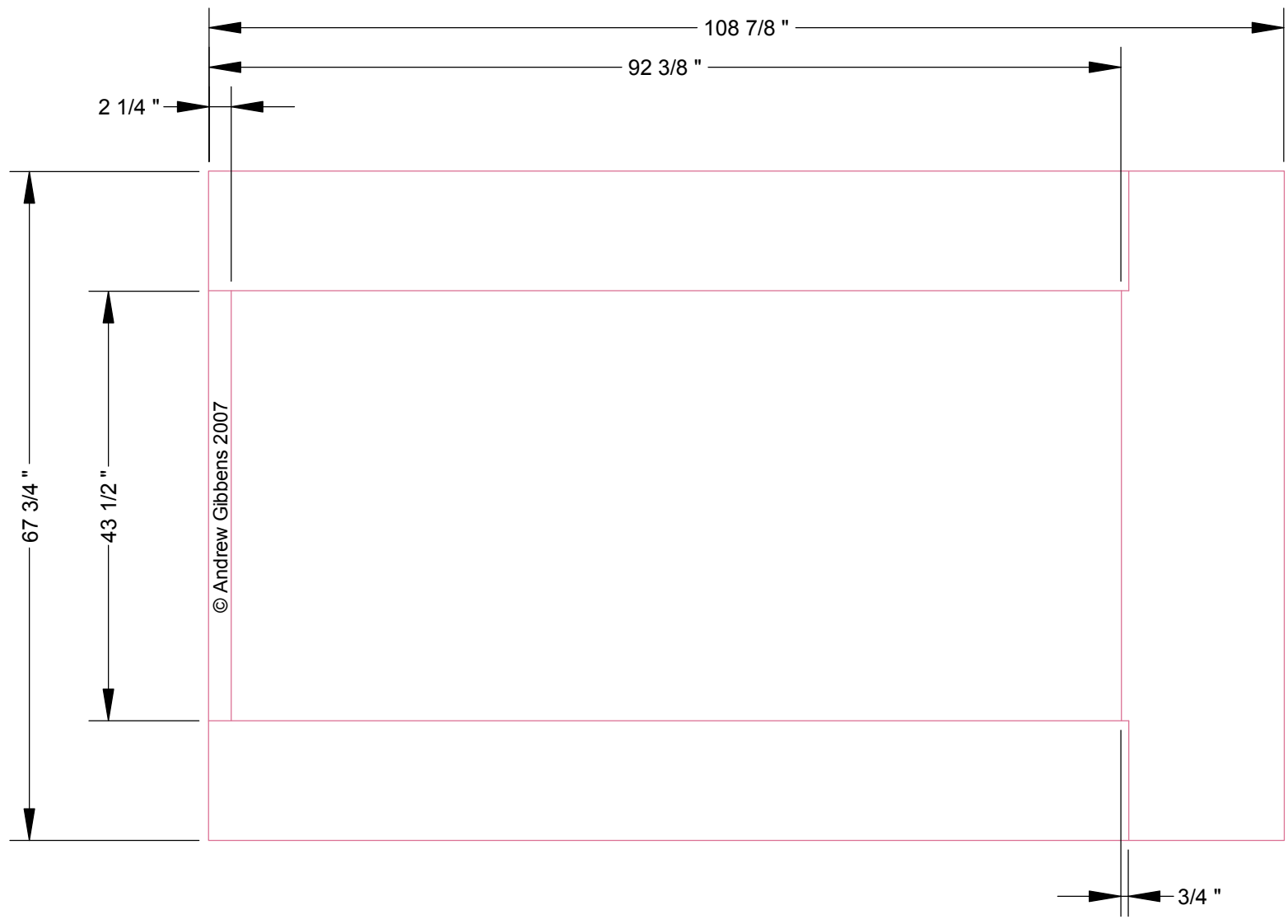


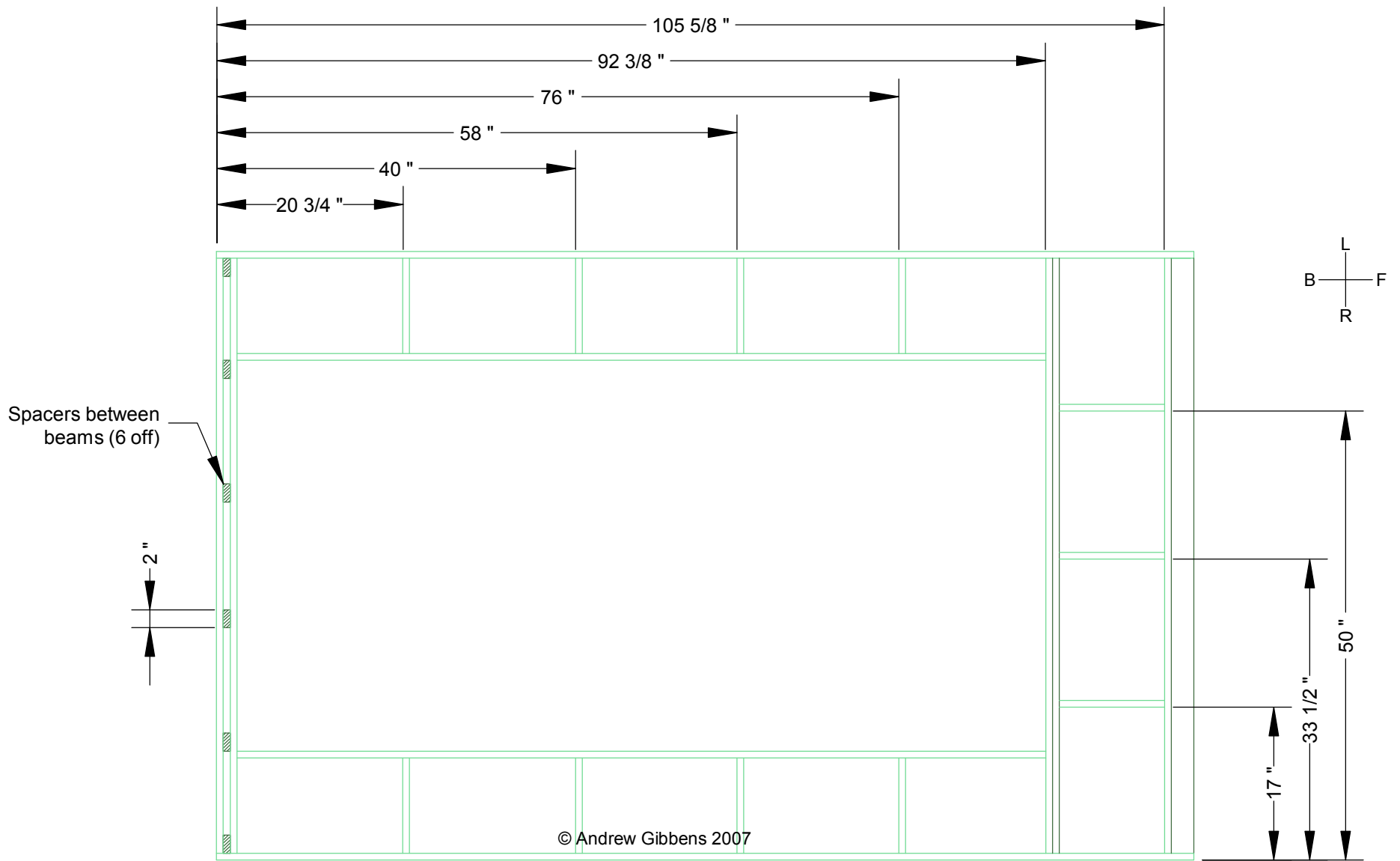
NOTE: Inner roof shown without outer skin or base frames for folding roof - both are fitted after body assembly.

INNER ROOF 1



- NOTES:
1. Inner roof shown before front edge is cut - see later sheet for details.
 2. Cut all pieces from 1/8" plywood.
 3. Joints near front offset to fall in between double roof beams.

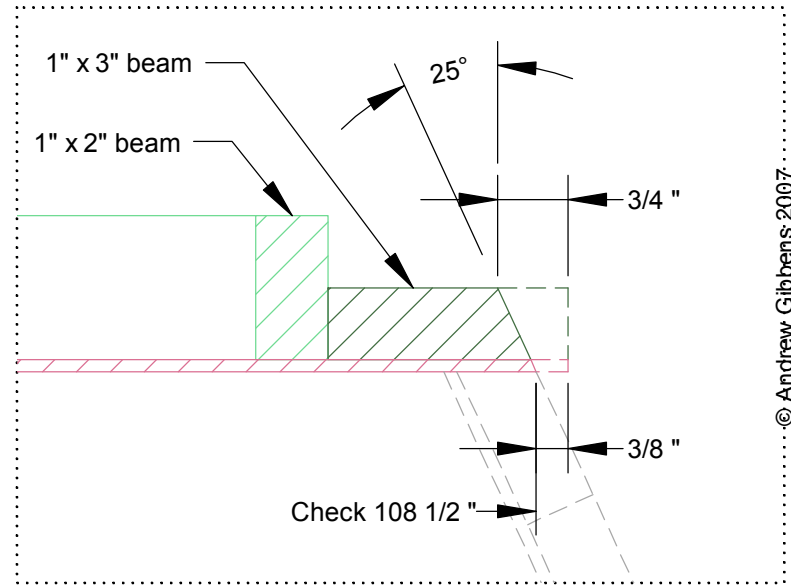
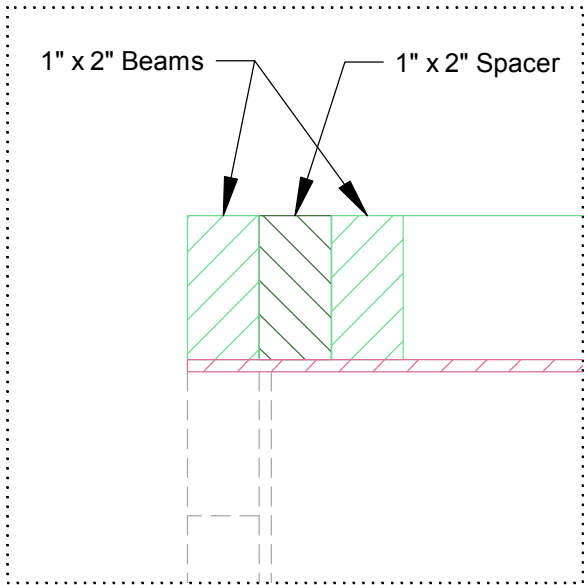
INNER ROOF 2
1:16



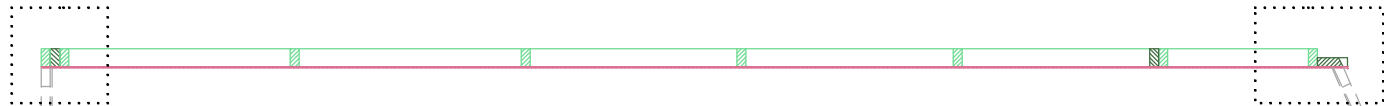
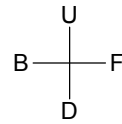
NOTES:

1. All framing 1" x 2" (nominal), except 1" x 3" front horizontal beam (see next sheet).

INNER ROOF 3
1:16



© Andrew Gibbens 2007



Longitudinal Section through Inner Roof at Side