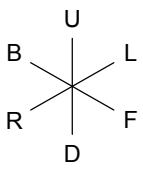
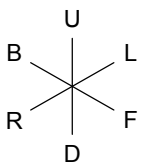
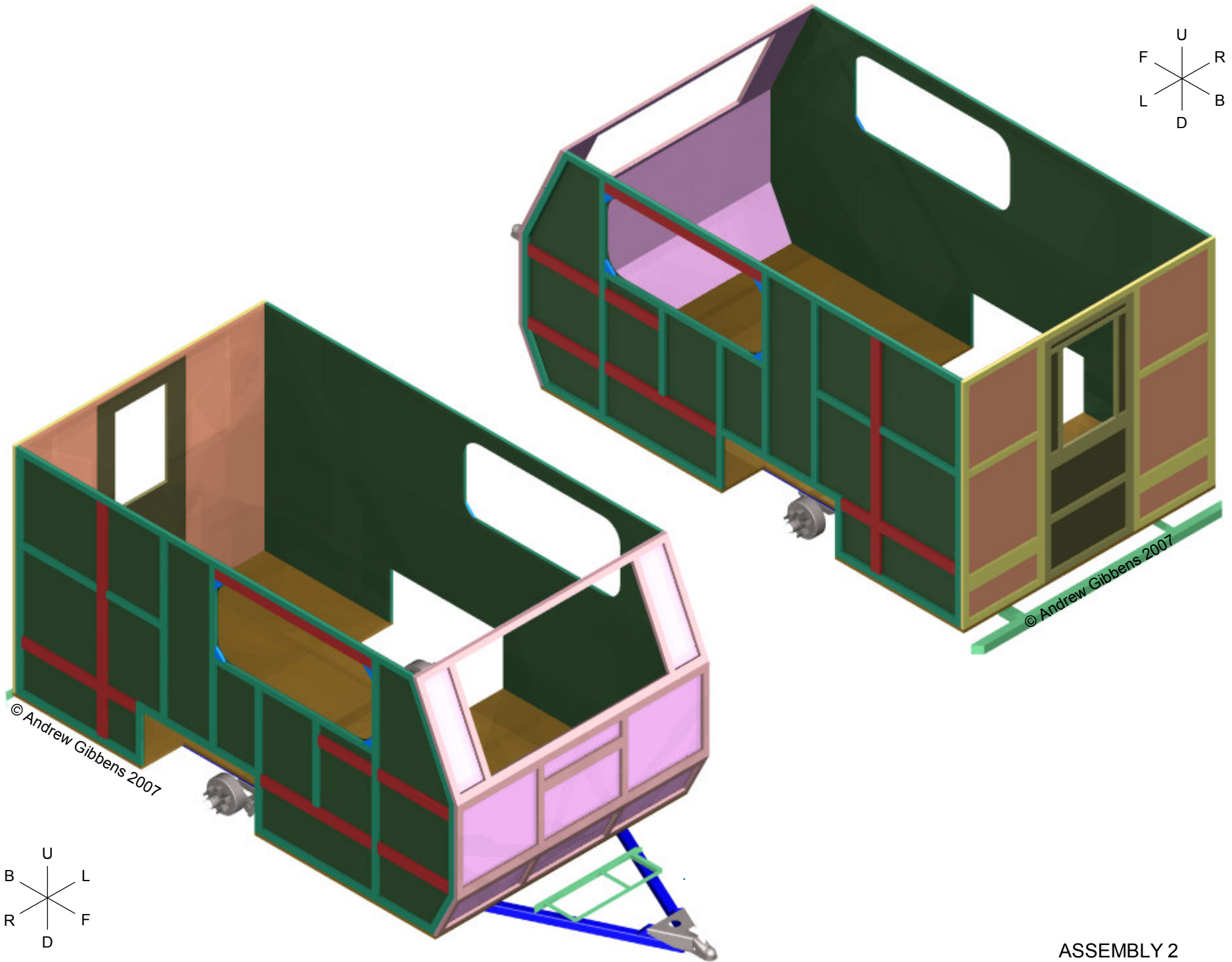
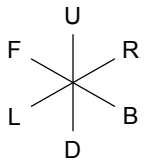


© Andrew Gibbens 2007

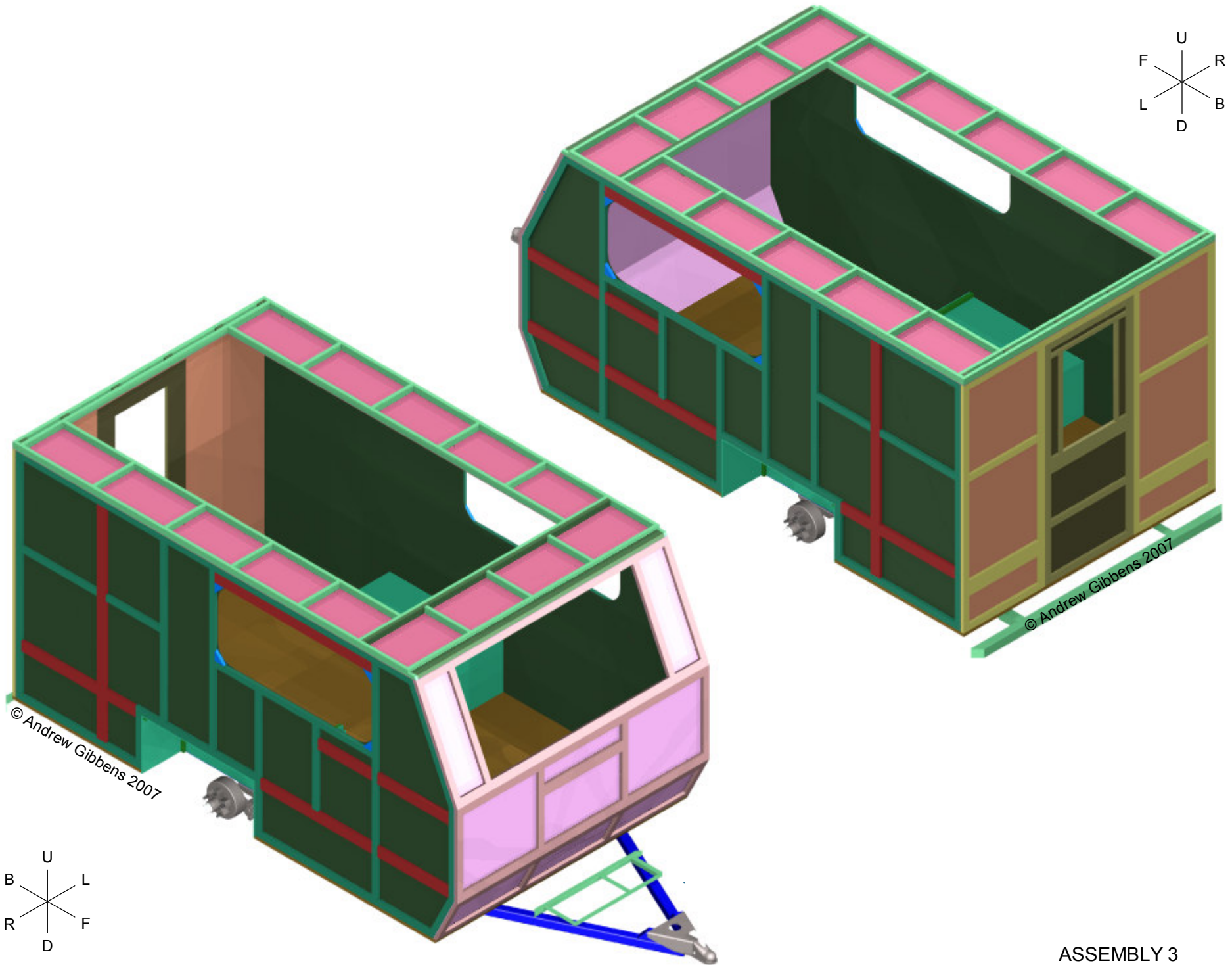
© Andrew Gibbens 2007

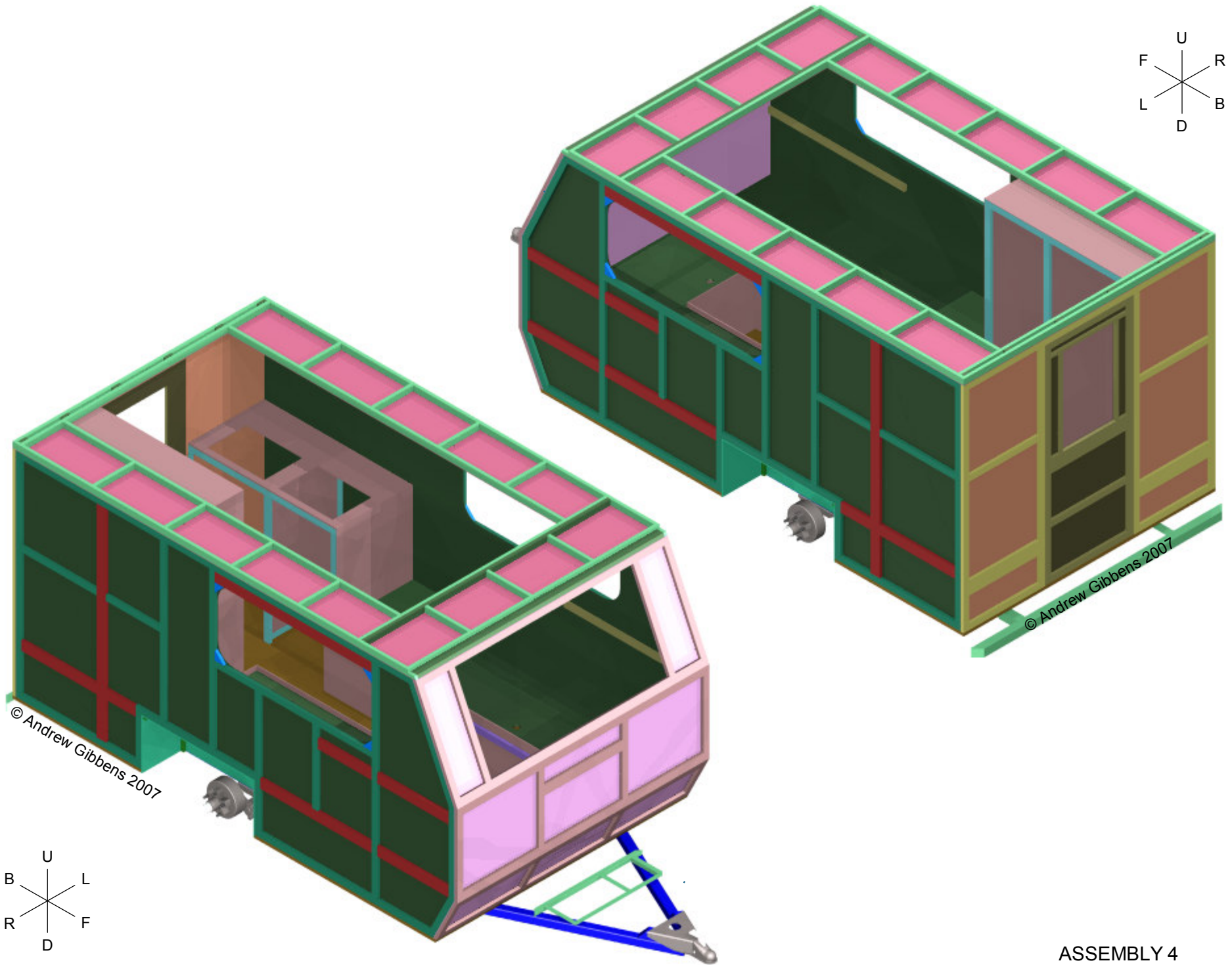
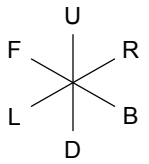


ASSEMBLY 1



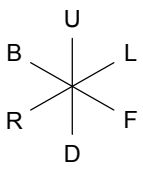
ASSEMBLY 2



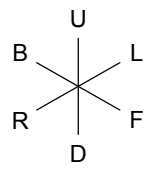
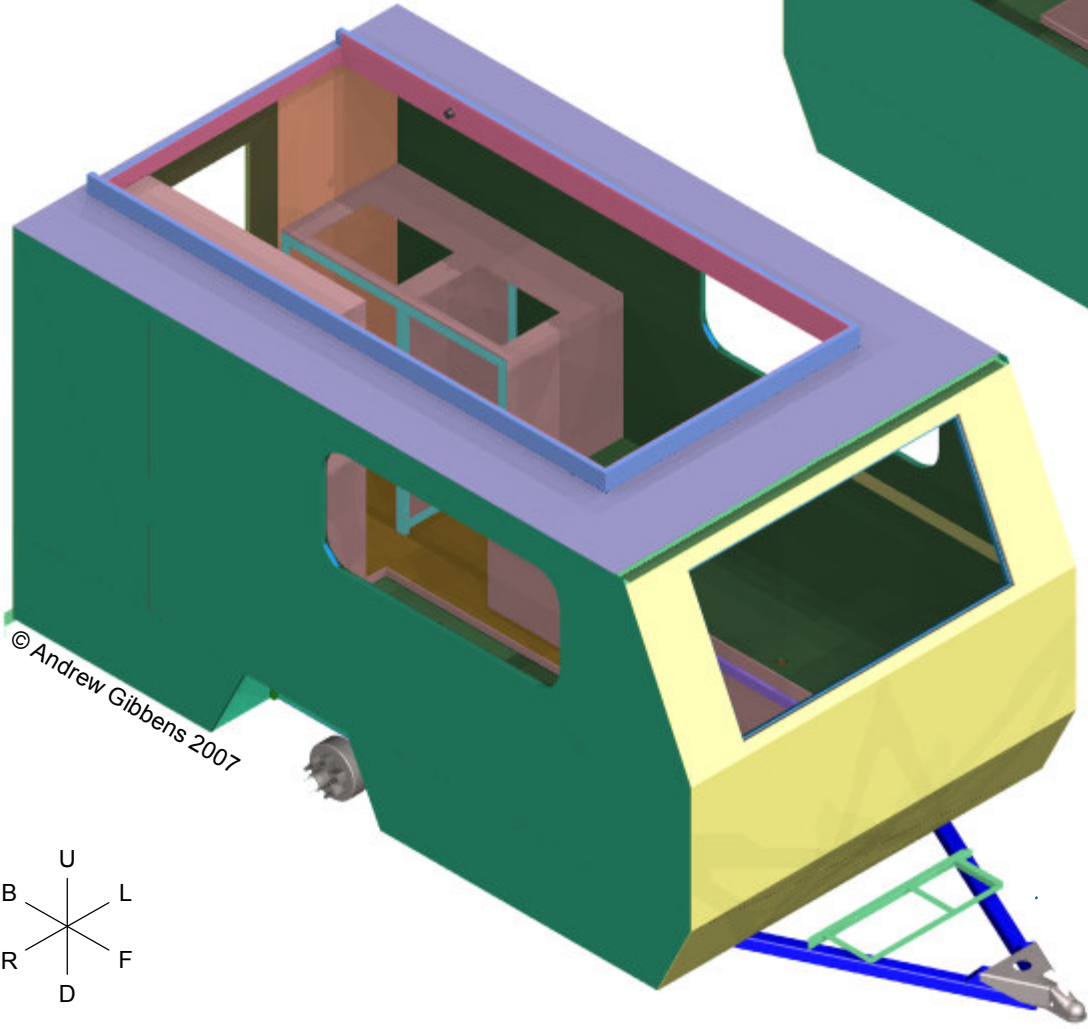
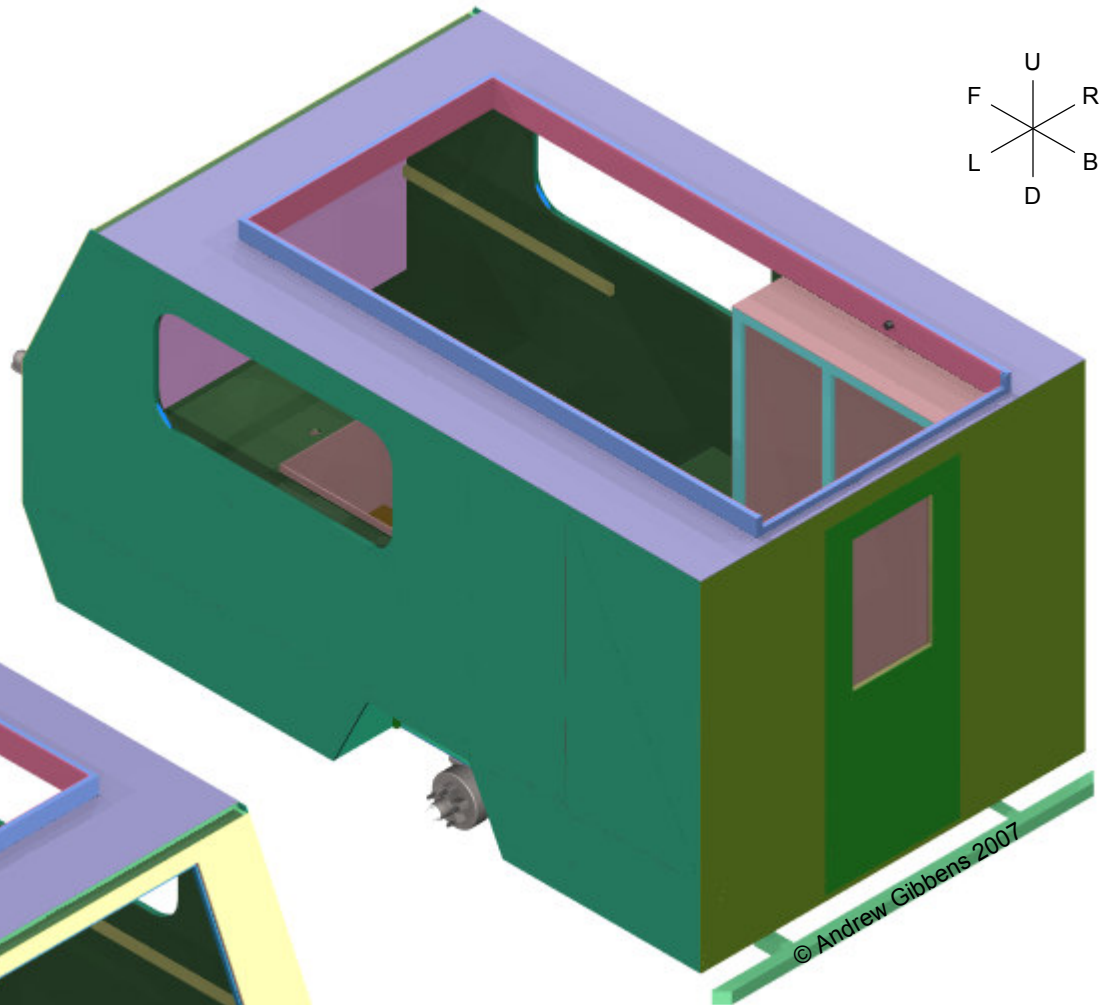
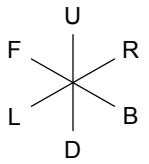


© Andrew Gibbens 2007

© Andrew Gibbens 2007



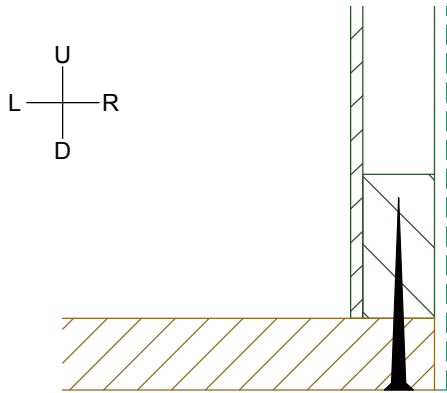
ASSEMBLY 4



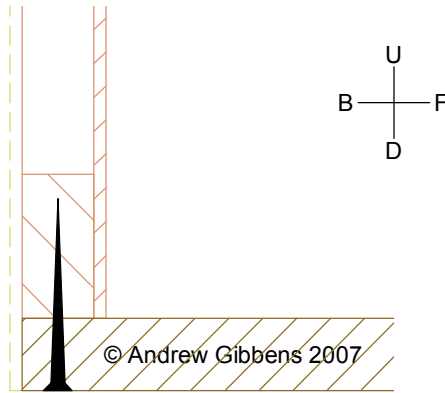
ASSEMBLY 5



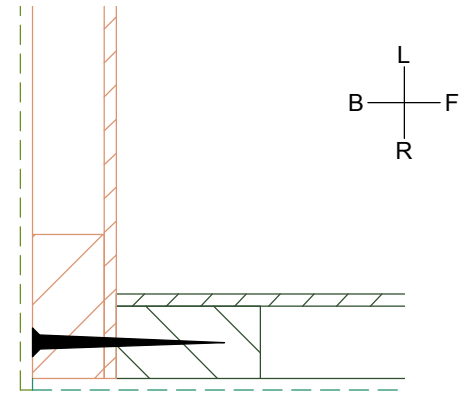
ASSEMBLY 6



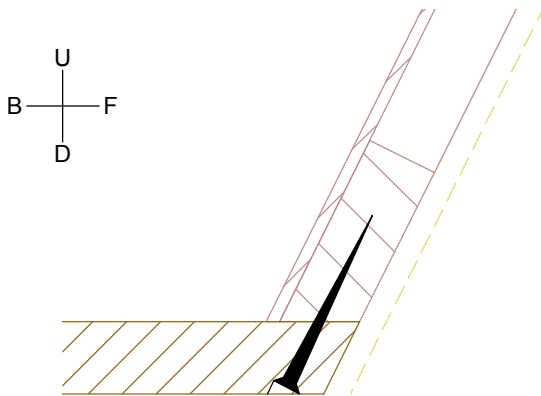
Side to Floor



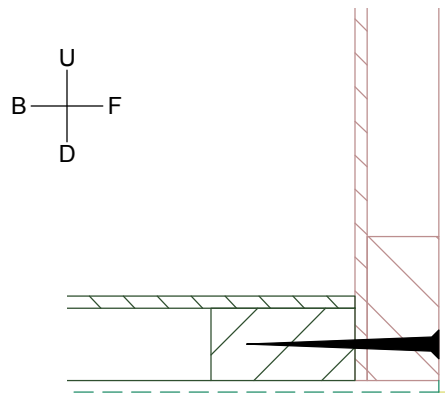
Rear to Floor



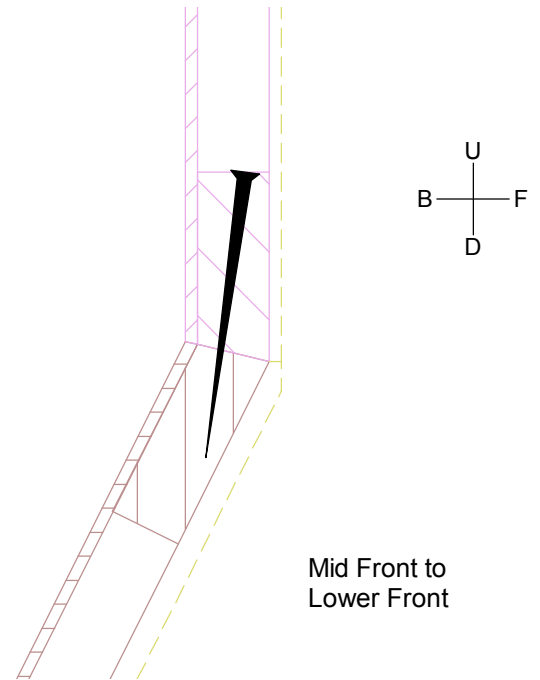
Rear to Side



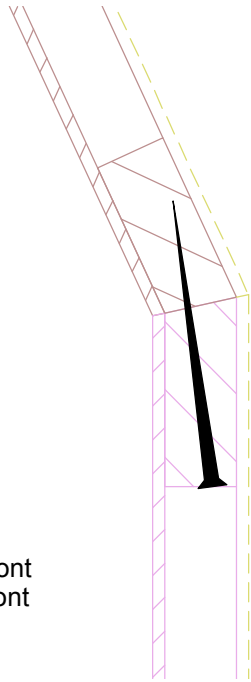
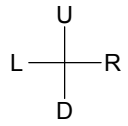
Lower Front to Floor



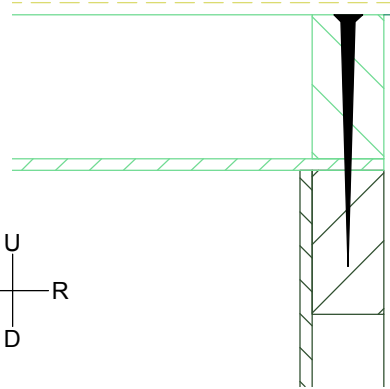
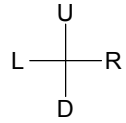
All Fronts to Side



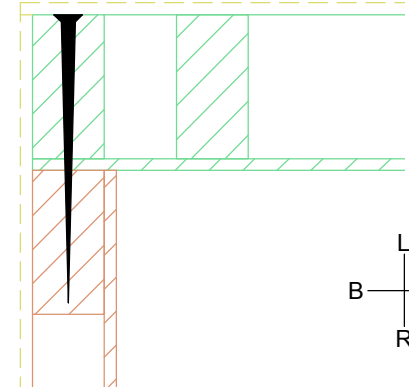
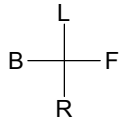
Mid Front to Lower Front



Upper Front
to Mid Front

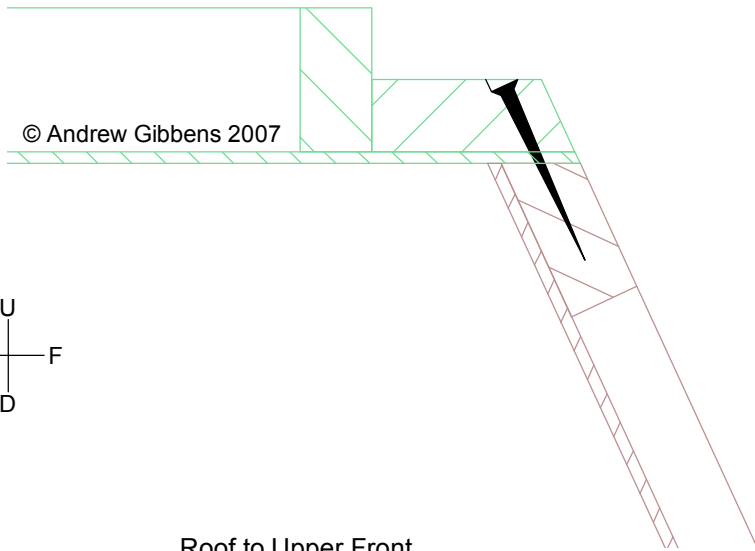
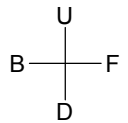


Roof to Side

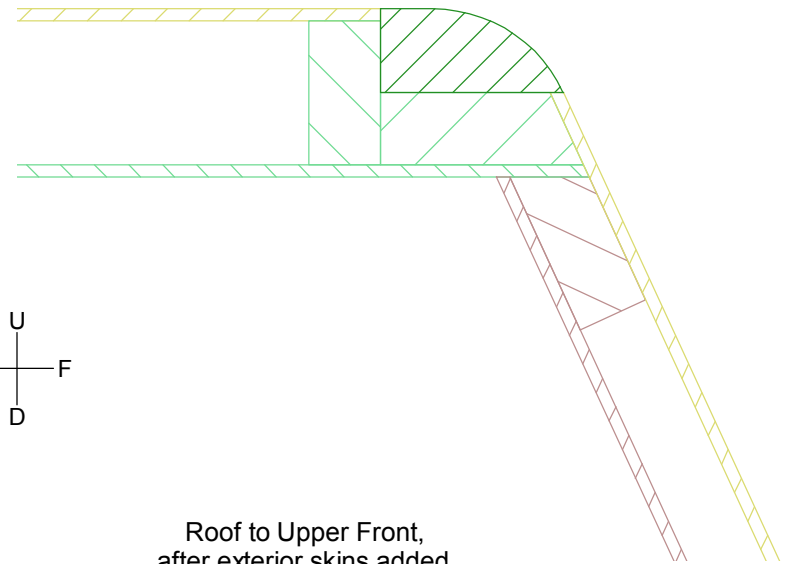
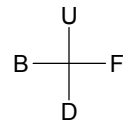


Roof to Rear

© Andrew Gibbens 2007

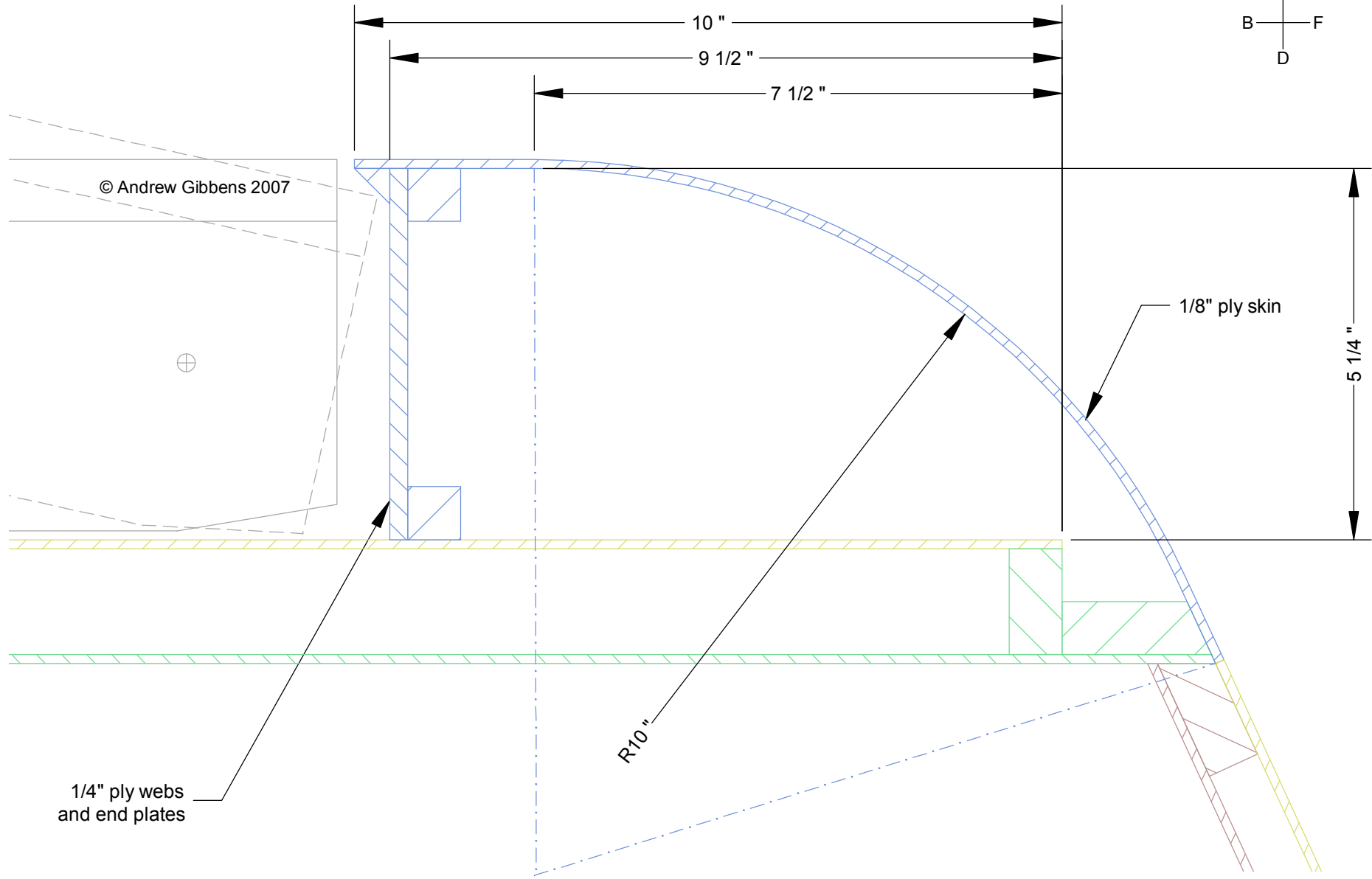
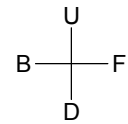


Roof to Upper Front



Roof to Upper Front,
after exterior skins added
either side of roof fairing

ASSEMBLY JOINTS 2
1:2



1/4" ply webs and end plates

R10"

1/8" ply skin

5 1/4"

© Andrew Gibbens 2007

Roof Fairing

ASSEMBLY JOINTS 3
1:2